

Square Analog Double Mount Pole (V1)

Features:

- Connects two square analog clocks for a double-sided time display
- Mounts to wall or ceiling
- Adjustable position
- Easy installation
- UL, cUL listed
- Perfect for hallway applications

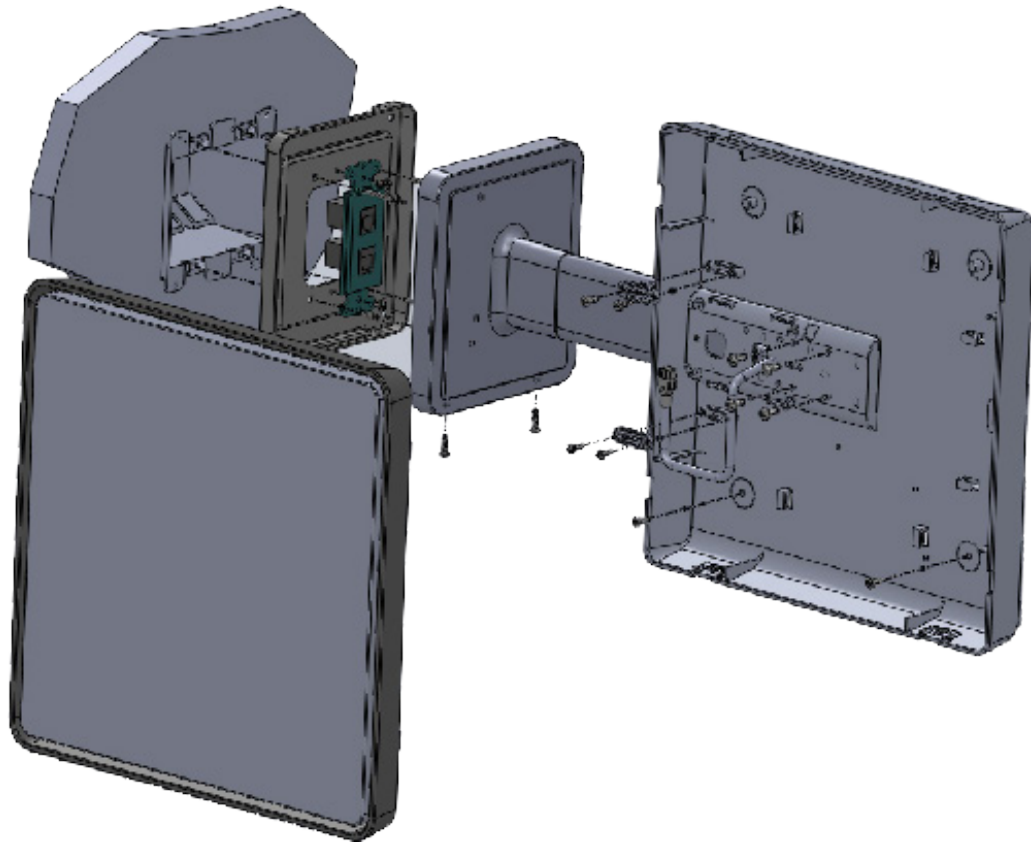


Specifications:

- Long Pole Color: Mineral Black or White
- Short Pole Color: Mineral Black
- Weight: Base and Pole: 1.5lbs (0.68kg)
- Mounting Pole Dimensions (long pole): 13.7" (34.8cm) L x 5.7" (14.5cm) W x 6.6" (16.7 cm) D
- Mounting Base and Pole Dimensions (short pole): 7.75" (19.7cm) L x 5.7" (14.5cm) W x 6.6" (16.7 cm) D
- Mounting (long pole): Wall or Ceiling
- Mounting (short pole): Ceiling only
- Material: Smooth surface ABS



CAD Drawing:



Ordering Information

Long Mineral Black Pole (for wall or ceiling): SAB-4GD-00S-0

Long White Pole (for wall or ceiling): SAB-4WD-00S-0

Short Mineral Black Pole (only for ceiling): SAB-4GD-01S-0

*specification sheets may change without prior notice



The Sapling Company, Inc.
1633 Republic Road
Huntingdon Valley, PA 19006
USA

P. +1 215.322.6063
F. +1 215.322.8498
www.sapling-inc.com