

Analog Flag Mount Housing (Pole Only) (V1)

Features:

- Mount one clock from the pole for a variety of applications
- Mounts to wall or ceiling
- Adjustable position
- Easy installation
- UL, cUL pending compliance
- Perfect for hallway applications



Specifications:

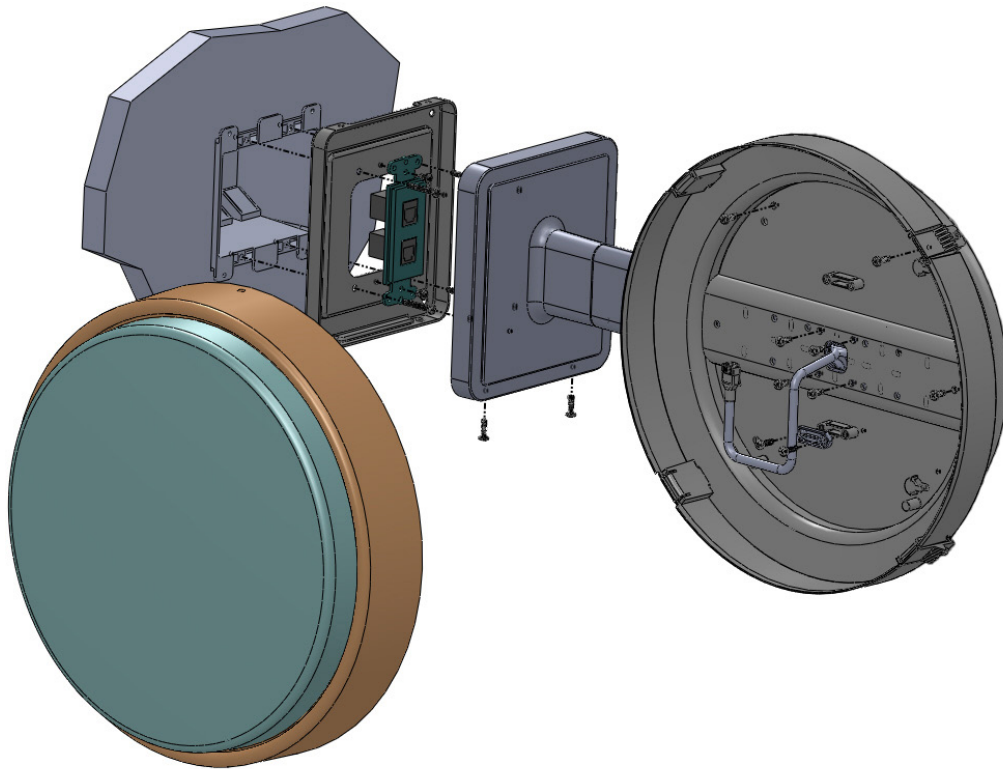
- Color: Black or white
- Weight:

12" rear cover:	1 lb. (.45 kg)
16" rear cover:	1.5 lbs. (.68 kg)
Base and pole:	1.5 lbs (.68 kg)
- Rear Clock Cover Dimensions: (Diameter and Depth)

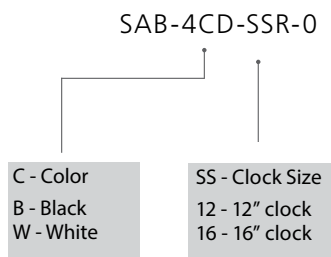
12" rear cover:	12.40" (31.5 cm) Dia, 2.28" (5.80 cm) D
16" rear cover:	16.39" (5.79 cm) Dia, 2.97" (7.54 cm) D
	5.35" (13.9 cm) L x 6.20" (15.75 cm) W, 0.55" (1.39 cm) D
- Metal Base Dimensions: 5.35" (13.9 cm) L x 6.20" (15.75 cm) W, 0.55" (1.39 cm) D
- Mounting Base and Pole Dimensions:

Base:	5.75" (14.6 cm) L x 6.53" (16.59 cm) W x 0.75" (1.90 cm) D
Pole:	12.72" (32.30) L x 2.32" (5.89) W x 0.79" (2.00 cm) D
- Mounting: Left or right wall and Ceiling
- Material: Smooth surface ABS

CAD Drawing:



Ordering Information



*specification sheets may change without prior notice



The Sapling Company, Inc.
1633 Republic Road
Huntingdon Valley, PA 19006

P. +1 215.322.6063
F. +1 215.322.8498
www.sapling-inc.com